

# ESSENTIAL SCALES & ARPEGGIO'S FOR BEGINNER VIOLINISTS

## ONE OCTAVE SCALES & ARPEGGIO'S

### D Major

#### Separate Bow Strokes

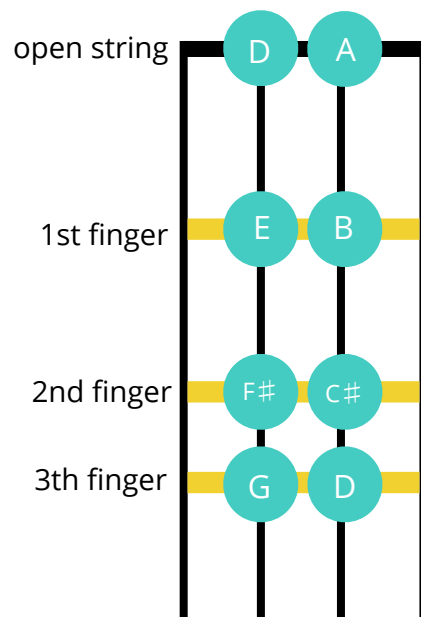
Musical notation for the D Major scale (one octave) using separate bow strokes. The scale is written in treble clef with a key signature of one sharp (F#) and a 4/4 time signature. The notes are: D (open string), E (1st finger), F# (2nd finger), G (3rd finger), A (open string), B (3rd finger), C# (2nd finger), D (1st finger), E (open string), F# (3rd finger), G (2nd finger), A (1st finger), B (open string), C# (3rd finger), D (2nd finger), E (1st finger), F# (open string), G (3rd finger), A (2nd finger), B (1st finger), C# (open string), D (3rd finger), E (2nd finger), F# (1st finger), G (open string).

#### Slurred Bow Strokes

Musical notation for the D Major scale (one octave) using slurred bow strokes. The scale is written in treble clef with a key signature of one sharp (F#) and a 4/4 time signature. The notes are: D (open string), E (1st finger), F# (2nd finger), G (3rd finger), A (open string), B (3rd finger), C# (2nd finger), D (1st finger), E (open string), F# (3rd finger), G (2nd finger), A (1st finger), B (open string), C# (3rd finger), D (2nd finger), E (1st finger), F# (open string), G (3rd finger), A (2nd finger), B (1st finger), C# (open string), D (3rd finger), E (2nd finger), F# (1st finger), G (open string).

#### Arpeggio

Musical notation for the D Major arpeggio (one octave) in 3/4 time. The notes are: D (open string), E (2nd finger), F# (open string), G (3rd finger), A (open string), B (2nd finger), C# (open string), D (open string).



# A Major

## Separate Bow Strokes

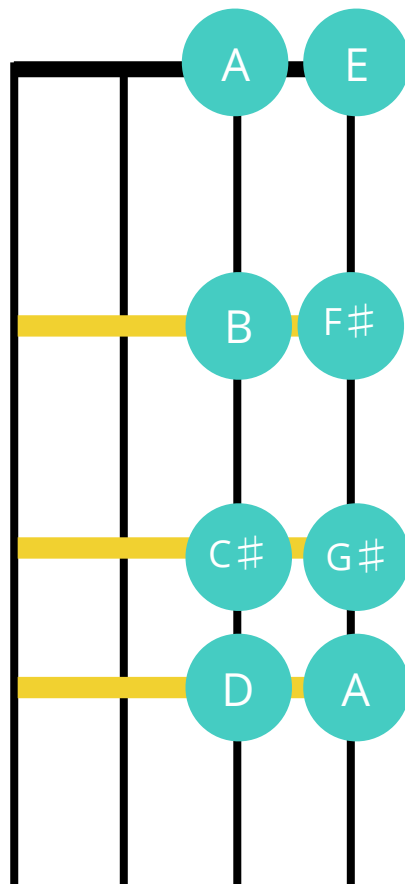
Musical notation for Separate Bow Strokes in A major. The key signature has three sharps (F#, C#, G#). The notation consists of three measures on a treble clef staff. The first measure contains four quarter notes: A (0), B (1), C# (2), and D (3), labeled 'A...'. The second measure contains four quarter notes: E (0), F# (1), G# (2), and A (3), labeled 'E...'. The third measure contains four quarter notes: A (3), G# (2), F# (1), and E (0), labeled 'A...'. Fingering numbers are placed above each note.

## Slurred Bow Strokes

Musical notation for Slurred Bow Strokes in A major. The key signature has three sharps (F#, C#, G#). The notation consists of three measures on a treble clef staff. The first measure contains four quarter notes: A (0), B (1), C# (2), and D (3), labeled 'A...'. The second measure contains four quarter notes: E (0), F# (1), G# (2), and A (3), labeled 'E...'. The third measure contains four quarter notes: A (3), G# (2), F# (1), and E (0), labeled 'A...'. Slurs are placed over each group of four notes. Fingering numbers are placed above each note.

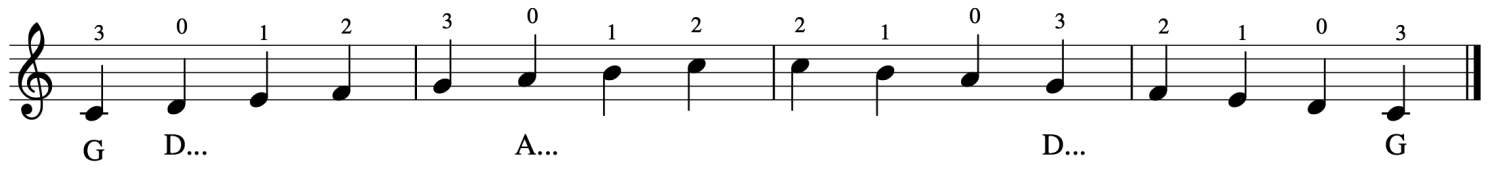
## Arpeggio

Musical notation for Arpeggio in A major. The key signature has three sharps (F#, C#, G#). The notation consists of three measures on a treble clef staff. The first measure contains a quarter note A (0), labeled 'A...'. The second measure contains a quarter note E (0), labeled 'E...'. The third measure contains a quarter note A (0), labeled 'A...'. Fingering numbers are placed above each note.

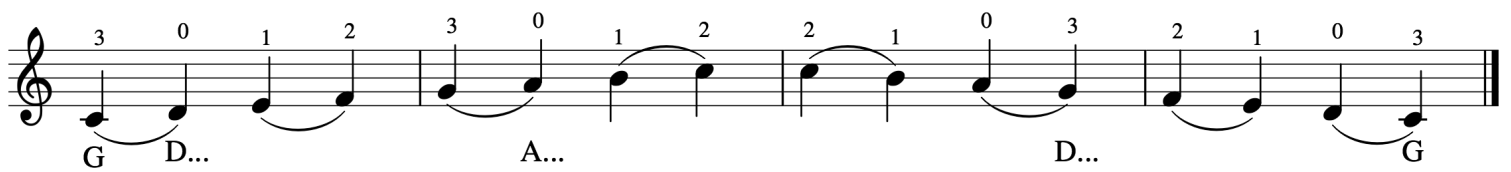


# C Major

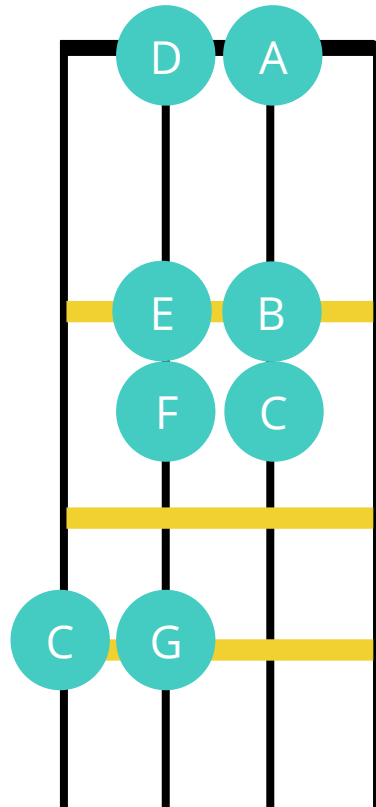
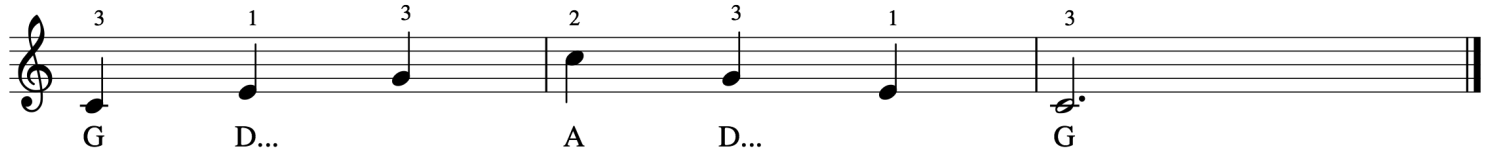
## Separate Bow Strokes



## Slurred Bow Strokes



## Arpeggio



# E Minor

## Separate Bow Strokes

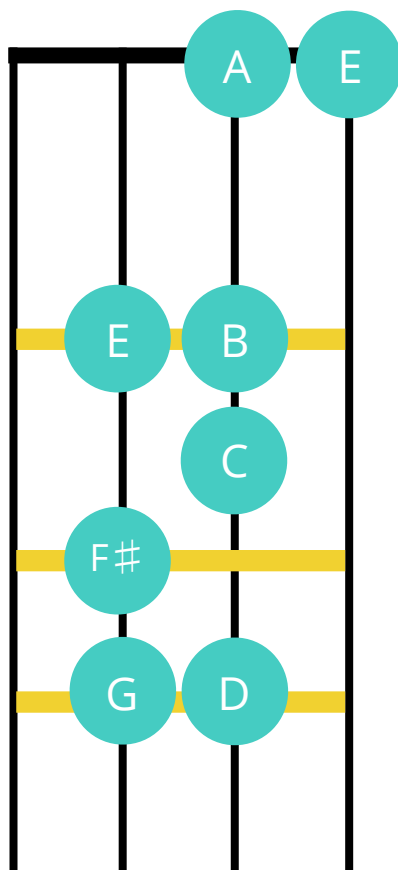
D... A... E... A... D...

## Slurred Bow Strokes

D... A... E... A... D...

## Arpeggio

D... A... E... A... D...



# TWO OCTAVE SCALES & ARPEGGIO'S

G Major

## Separate Bow Strokes

## Slurred Bow Strokes

## Arpeggio

